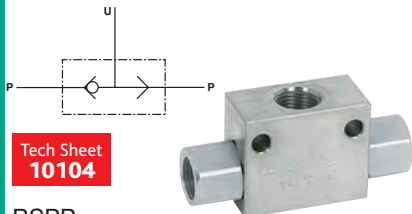




# Threaded Hydraulic Valves



## Shuttle Valves



Tech Sheet 10104

BSPP

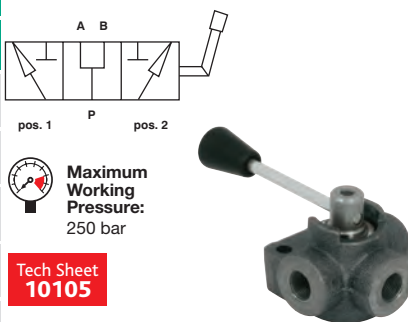
0347



SV04	1/4"	450	30	17.35
SV06	3/8"	450	45	18.05
SV08	1/2"	450	70	18.85
SV12	3/4"	350	110	28.20

## 3 Way Diverter Valves

Closed centre configuration available on request.



Tech Sheet 10105

Open Centre, BSPP

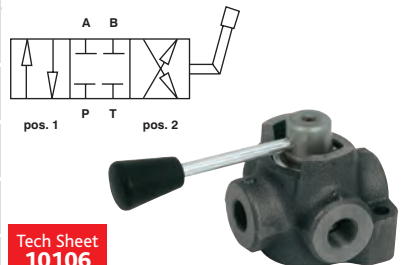
0347



DV306	3/8"	35	30.75
DV308	1/2"	60	35.10
DV312	3/4"	100	40.90

## 4 Way Diverter Valves

P to T, A & B closed, available on request.



Tech Sheet 10106

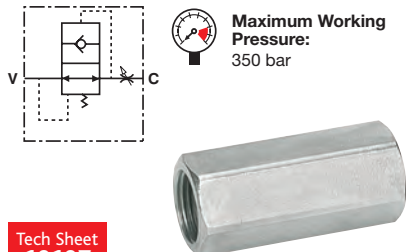
All Ports Closed, BSPP

0347



DV406	3/8"	35	39.05
DV408	1/2"	60	44.20
DV412	3/4"	100	60.15

## Hose Burst Valves



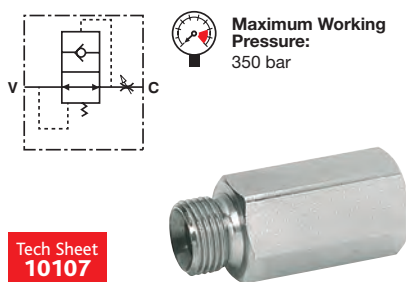
Tech Sheet 10107

Female/Female, BSPP

0347



HBVF04	1/4"	25	11.05
HBVF06	3/8"	50	11.90
HBVF08	1/2"	80	14.95
HBVF12	3/4"	140	18.25
HBVF16	1"	180	27.60



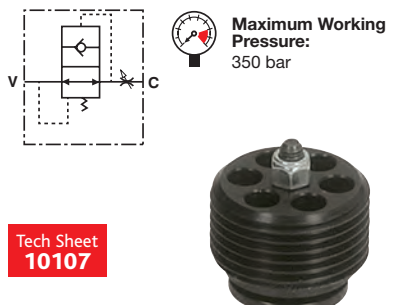
Tech Sheet 10107

Male/Female, BSPP

0347



HBVMF04	1/4"	25	11.05
HBVMF06	3/8"	50	11.90
HBVMF08	1/2"	80	14.95
HBVMF12	3/4"	140	18.25
HBVMF16	1"	180	27.60



Tech Sheet 10107

Cartridge

0347

To Suit



HBVC04	1/4"	8.40
HBVC06	3/8"	8.60
HBVC08	1/2"	10.15
HBVC12	3/4"	13.05
HBVC16	1"	20.20

## Hydraulic Swivel Joints

- Seal Nitrile
- Mounted between a hose assembly and rigid component in order to allow and compensate occasional rotations, preventing hose damage.

Tech Sheet 848

90° Swivel, BSPP

0014



2019-3660	1/4"	400	200	45.40
2019-3678	3/8"	400	200	51.10
2019-3686	1/2"	300	150	61.75
2019-3694	3/4"	300	150	111.95
2019-3702	1"	300	100	149.75
2019-3703	1.1/4"	300	100	293.00
2019-3704	1.1/2"	300	80	389.50
2019-3705	2"	250	50	480.25

Tech Sheet 849

Straight Swivel, BSPP

0014



2019-2639	1/4"	400	200	40.95
2019-3629	3/8"	400	200	45.20
2019-3637	1/2"	300	150	52.25
2019-3645	3/4"	300	150	81.35
2019-3652	1"	300	100	111.70
2019-3653	1.1/4"	300	100	188.65
2019-3654	1.1/2"	300	80	268.90
2019-3655	2"	250	50	370.90