

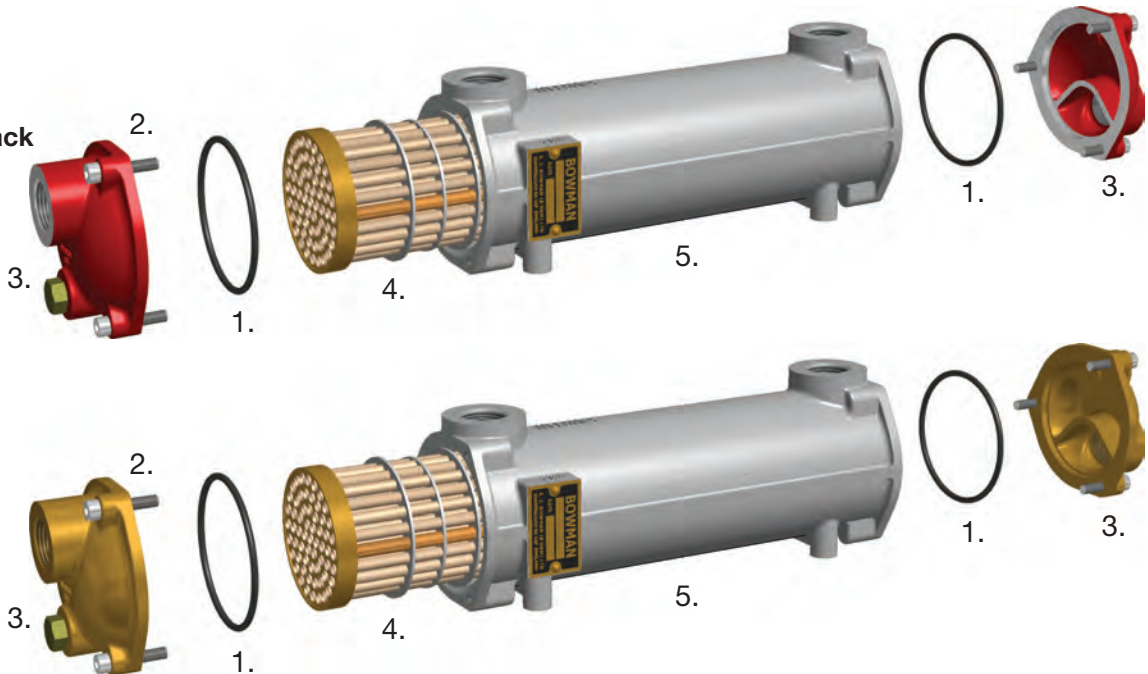


Hydraulic Oil Coolers



Replacement Parts

1. O-ring
2. Screws
3. End Cap
4. Tube Stack
5. Body



EC Series, Spares

Part No.	Description	Price (£)
0379	O-ring	2.20
HS06X30	Screw	0.55
EC003-1040CI	End Cover Fresh Water	21.10
EC003-1040NB	End Cap Sea Water	43.80
785-1TN1B	EC080 Tube Stack	85.20
EC021-978AL	EC080 Body	34.10
785-2TN1B	EC100 Tube Stack	115.00
EC010-783-2AL	EC100 Body	41.25
785-3TN1B	EC120 Tube Stack	143.40
EC012-783-3AL	EC120 Body	49.85
785-4TN1B	EC140 Tube Stack	166.05
EC014-783-4AL	EC140 Body	66.25
785-5TN1B	EC160 Tube Stack	235.25
EC016-783-5AL	EC160 Body	87.05

FC Series, Spares

Part No.	Description	Price (£)
0379	O-ring	3.00
HS08X35	Screw	0.95
FC003-1281CI	End Cover Fresh Water	41.90
FC003-1281NB	End Cap Sea Water	79.65
1530-1TN1B	FC080 Tube Stack	189.10
FC008-1200-1AL	FC080 Body	85.20
1530-2TN1B	FC100 Tube Stack	232.15
FC010-1200-2AL	FC100 Body	113.30
1530-3TN1B	FC120 Tube Stack	269.05
FC012-1200-3AL	FC120 Body	137.65
1530-4TN1B	FC140 Tube Stack	332.10
FC014-1200-4AL	FC140 Body	172.20
1530-5TN1B	FC160 Tube Stack	379.75
FC016-1200-5AL	FC160 Body	201.40

FG Series, Spares

Part No.	Description	Price (£)
0379	O-ring	4.90
HS08X35-FG	Screw	0.95
FG003-1583CI	End Cover Fresh Water	56.50
FG003-1583NB	End Cap Sea Water	99.60
1959-1TN1B	FG080 Tube Stack	275.20
FG008-1650-1AL	FG080 Body	186.05
1959-2TN1B	FG100 Tube Stack	315.20
FG010-1650-2AL	FG100 Body	227.55
1959-3TN1B	FG120 Tube Stack	369.00
FG012-1650-3AL	FG120 Body	253.70
1959-4TN1B	FG140 Tube Stack	447.40
FG014-1650-4AL	FG140 Body	324.40
1959-5TN1B	FG160 Tube Stack	556.60
FG016-1650-5AL	FG160 Body	398.20
1959-7TN1B	FG200 Tube Stack	856.40
FG020-1650-7AL	FG200 Body	438.20

GL Series, Spares

Part No.	Description	Price (£)
0379	O-ring	6.60
HS10X40	Screw	0.95
GL003-3141CI	End Cover Fresh Water	81.70
GL003-3141NB	End Cap Sea Water	158.35

GK Series, Spares

Part No.	Description	Price (£)
0379	O-ring	9.10
HS12X50	Screw	1.30

JK Series, Spares

Part No.	Description	Price (£)
0379	O-ring	12.50
HS16X70	Screw	2.00

PK Series, Spares

Part No.	Description	Price (£)
0379	O-ring	15.05
HS16X70-PK	Screw	2.00



Drain Plugs

Part No.	Description	Price (£)
0379	To Suit	1.55
915	EC, GL & GK Series	1.55
916	JK, PK & GK Series	4.05