



## Hydraulic Tooling

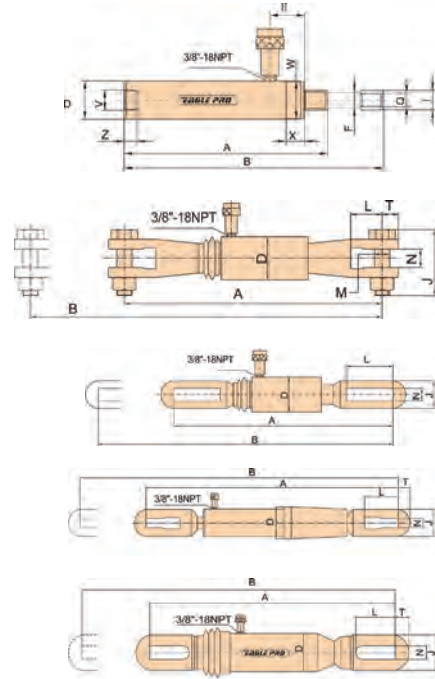
**EAGLE PRO**

Tech Sheet **10071**

### Pull Cylinders

#### Features

- High strength alloy steel construction.
- Chromed piston rod for wear and corrosion resistance.
- Baked enamel finish prevent rust and corrosion.
- High flow EAB-201 quick coupler.



ESP-25  
ESP-106C  
ESP-106L  
ESP-306  
ESP-606

#### Saddle Style Connector

0346	Capacity Tn	mm	Min. Height mm	Max. Height mm	£
ESP-25	2.5	127	265	392	414.45
ESP-46	5	140	302	442	498.50
ESP-106	10	151	289	440	574.75

#### Female Style Connector, Gaitered

0346	Capacity Tn	mm	Min. Height mm	Max. Height mm	£
ESP-106C	10	151	587	738	1047.70

#### Male Style Connector, Gaitered

0346	Capacity Tn	mm	Min. Height mm	Max. Height mm	£
ESP-106L	10	151	542	693	895.30

#### Suitable for Loop Connection

0346	Capacity Tn	mm	Min. Height mm	Max. Height mm	£
ESP-306	30	155	1085	1240	3339.25

#### Suitable for Loop Connection, Gaitered

0346	Capacity Tn	mm	Min. Height mm	Max. Height mm	£
ESP-606	50	152	720	872	3718.10

### Hydraulic Spreader

#### Features

- Single Acting/Spring Return
- EHS-075 for long stroke applications
- EHS-1 for applications where space is limited



Tech Sheet **10176**

#### Single Acting, Spring Return

0346	Capacity Tn	Min. Height mm	Max. Height mm	£
EHS-075	0.75	32	292	830.85
EHS-1	1	10	93	266.40



Hydraulics

Hydraulic QRC

Pneumatic QRC

Ind. Air Prep, Monitor & Test

KELM™ Pneumatics

Pneumatic & Vacuum Equipment

Valves

Ring Main Systems

Adaptors & Fittings

Stainless Steel

Malleable Iron

Hose, Tubing & Couplings

Clamps & Clips

Sprays & Adhesives

Blow Guns & Vacuum

Wash Down & Fuelling

Air Tools

Tools, Hardware & PPE

LIFETIME WARRANTY