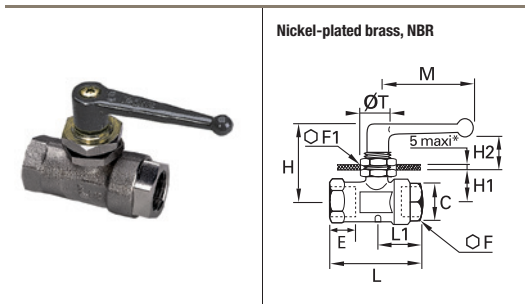


Universal and Universal Customised Series

0446

2/2 In-Line Panel-Mountable Ball Valve, Female BSPP Thread

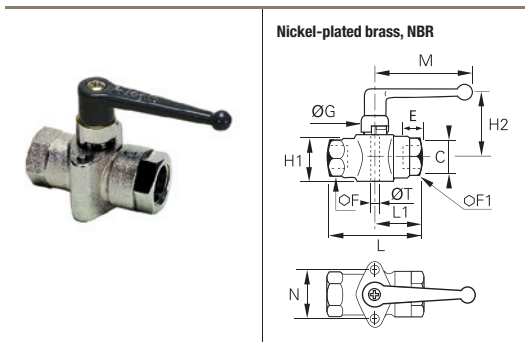


C	DN		E	F	F1	H	H1	H2	L	L1	M	ØT	kg
G1/8	4	0446 04 10	8	14	22	37	14	12	44	25	48	16.5	0.112
G1/4	7	0446 07 13	12	19	24	45	19	14	53	28	48	20.5	0.188
G3/8	10	0446 10 17	12	24	27	50	21	21	59	31	69	20.5	0.294
G1/2	13	0446 13 21	15	27	27	51	23	21	67	34	69	20.5	0.338

Maximum working pressure: 20 bar
*For G1/8 version, maximum panel thickness = 3 mm

6402

2/2 In-Line Ball Valve for Screw Fixing, Female BSPP Thread

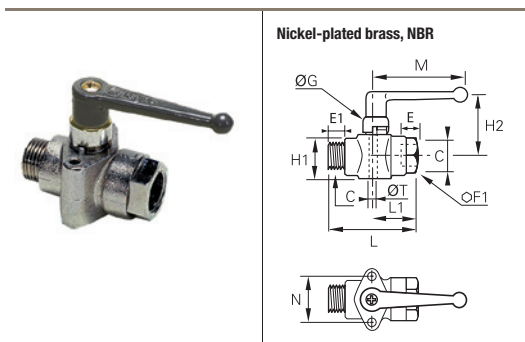


C	DN		E	F	F1	G	H1	H2	L	L1	M	N	ØT	kg
G1/8	4	6402 04 10	8	14	14	18	18	30	44	25	48	25	4x70	0.132
G1/4	7	6402 07 13	12	19	19	19	24	31	53	28	48	31	5x80	0.216
G3/8	10	6402 10 17	12	24	24	20	30	45	59	31	69	31	5x80	0.324
G1/2	13	6402 13 21	15	27	27	20	34	47	67	34	69	34	6x100	0.404
G3/4	20	6402 20 27	16.5	32	38	27	44	52	80	39	108	43	8x125	0.830
G1	23	6402 23 34	19	41	46	27	53	56	94	47	108	51	8x125	1.290

Maximum working pressure: 40 bar

6401

2/2 In-Line Ball Valve for Screw Fixing, Male/Female BSPP Thread

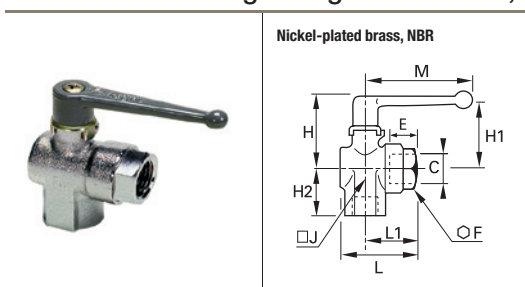


C	DN		E	E1	F	G	H1	H2	L	L1	M	N	ØT	kg
G1/8	4	6401 04 10	8	7	14	18	18	30	45	25	48	25	4x70	0.127
G1/4	7	6401 07 13	12	9	19	19	24	31	52	28	48	31	5x80	0.212
G3/8	10	6401 10 17	12	11	24	20	30	45	58	31	69	31	5x80	0.306
G1/2	13	6401 13 21	15	12	27	20	34	47	67	34	69	34	6x100	0.394

Maximum working pressure: 40 bar

0472

2/2 Right-Angled Ball Valve, Female BSPP Thread

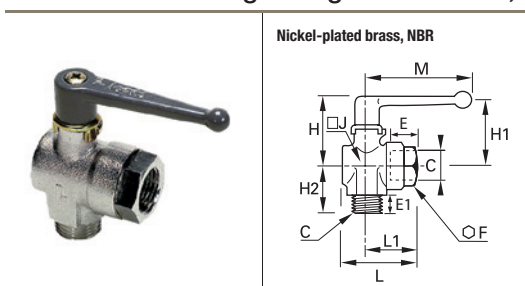


C	DN		E	F	H	H1	H2	J	L	L1	M	kg
G1/8	4	0472 04 10	8	14	35	29	18	14	34	25	48	0.096
	6	0472 06 10	8	19	38	31	20	22	37	27	48	0.183
G1/4	6	0472 06 13	12	19	38	31	24	22	38	28	48	0.191
G3/8	9	0472 09 17	12	24	45	43	27	25	46	31	69	0.260
G1/2	12	0472 12 21	15	27	47	44	33	29	49	34	69	0.312
G3/4	18	0472 18 27	16.5	38	59	51	40	39	60	39	108	0.704
G1	23	0472 23 34	19	46	63	55	47	48	72	47	108	1.062

Maximum working pressure: 20 bar

0471

2/2 Right-Angled Ball Valve, Male/Female BSPP Thread



C	DN		E	E1	F	H	H1	H2	J	L	L1	M	kg
G1/8	4	0471 04 10	8	7	14	35	29	19	14	34	25	48	0.096
	6	0471 06 10	8	7	19	38	31	22	22	37	27	48	0.182
G1/4	6	0471 06 13	12	9	19	38	31	25	22	38	28	48	0.187
G3/8	9	0471 09 17	12	11	24	45	43	28	25	46	31	69	0.256
G1/2	12	0471 12 21	15	12	27	47	44	32	29	49	34	69	0.300
G3/4	18	0471 18 27	16.5	12	38	59	51	37	39	60	39	108	0.682
G1	23	0471 23 34	19	15	46	63	55	44	48	72	47	108	1.020

Maximum working pressure: 20 bar

Ball Valves
Industrial Valves