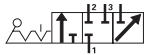

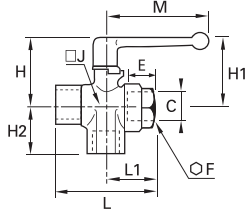

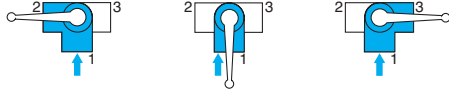


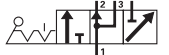
# Universal and Universal Customised Series


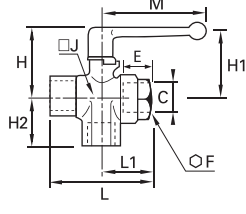

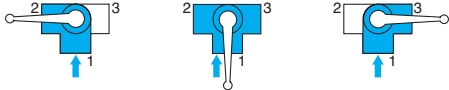
## 0482 3/3 Right-Angle Ported Ball Valve, Female BSPP Thread



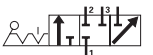
	Nickel-plated brass, NBR 	<b>C</b> $\text{\textcircled{DN}}$ 	<b>E</b> <b>F</b> <b>H</b> <b>H1</b> <b>H2</b> <b>J</b> <b>L</b> <b>L1</b> <b>M</b> <b>kg</b>
		G1/8 4 <a href="#">0482 04 10</a>	8 14 35 29 18 14 44 25 48 0.103
		G1/4 6 <a href="#">0482 06 13</a>	12 19 38 31 24 22 53 28 48 0.200
		G3/8 9 <a href="#">0482 09 17</a>	12 24 45 43 27 25 59 31 69 0.284
		G1/2 12 <a href="#">0482 12 21</a>	15 27 47 44 33 29 67 34 69 0.346
		G3/4 18 <a href="#">0482 18 27</a>	16.5 38 59 51 40 39 80 39 108 0.742
		G1 23 <a href="#">0482 23 34</a>	19 46 63 55 47 48 94 47 108 1.160
Maximum working pressure: 20 bar  <p style="text-align: center;"><b>Closed</b></p>			


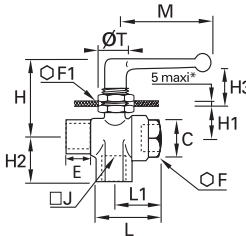

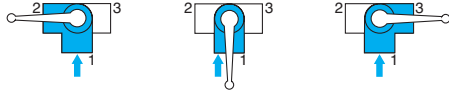
## 0483 3/3 Right-Angle Ported Ball Valve without Closed Position, Female BSPP Thread



	Nickel-plated brass, NBR 	<b>C</b> $\text{\textcircled{DN}}$ 	<b>E</b> <b>F</b> <b>H</b> <b>H1</b> <b>H2</b> <b>J</b> <b>L</b> <b>L1</b> <b>M</b> <b>kg</b>
		G1/8 4 <a href="#">0483 04 10</a>	8 14 35 29 18 14 44 25 48 0.102
		G1/4 6 <a href="#">0483 06 13</a>	12 19 38 31 24 22 53 28 48 0.196
		G3/8 9 <a href="#">0483 09 17</a>	12 24 45 43 27 25 59 31 69 0.278
		G1/2 12 <a href="#">0483 12 21</a>	15 27 47 44 33 29 67 34 69 0.340
		G3/4 18 <a href="#">0483 18 27</a>	16.5 38 59 51 40 39 80 39 108 0.716
		G1 23 <a href="#">0483 23 34</a>	19 46 63 55 47 48 94 47 108 1.066
Maximum working pressure: 20 bar 			


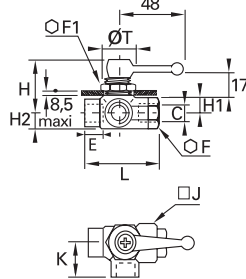

## 0448 3/2 Panel-Mountable Right-Angled Ball Valve, Female BSPP Thread



	Nickel-plated brass, NBR 	<b>C</b> $\text{\textcircled{DN}}$ 	<b>E</b> <b>F</b> <b>F1</b> <b>H</b> <b>H1</b> <b>H2</b> <b>H3</b> <b>J</b> <b>L</b> <b>L1</b> <b>M</b> <b>ØT</b> <b>kg</b>		
		G1/8 4 <a href="#">0448 04 10</a>	8 14 22 37 14 18 12 14 44 25 48 16.5 0.126		
		G1/4 6 <a href="#">0448 06 13</a>	12 19 24 45 19 24 14 22 53 28 48 20.5 0.230		
		G3/8 9 <a href="#">0448 09 17</a>	12 24 27 50 21 27 21 25 59 31 69 20.5 0.328		
		G1/2 12 <a href="#">0448 12 21</a>	15 27 27 51 23 33 21 29 67 34 69 20.5 0.392		
		Maximum working pressure: 20 bar *For G1/8 version: maximum panel thickness = 3 mm  <p style="text-align: center;"><b>Closed</b></p>			

## 0452 3/2 Panel-Mountable Equal Plane Ball Valve, Female BSPP Thread



	Nickel-plated brass, NBR 	<b>C</b> $\text{\textcircled{DN}}$ 	<b>E</b> <b>F</b> <b>F1</b> <b>H</b> <b>H1</b> <b>H2</b> <b>J</b> <b>K</b> <b>L</b> <b>ØT</b> <b>kg</b>
		G1/8 4 <a href="#">0452 04 10</a>	8 14 22 39 10 8 16 18 25 19 0.130
		G1/4 6 <a href="#">0452 06 13</a>	12 19 24 40 11 11 23 24 28 20 0.206
		Maximum working pressure: 20 bar 