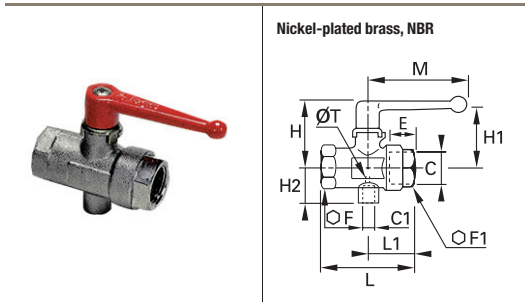


Universal Series, Vented

0489

3/2 In-Line Vented Ball Valve, Female BSPP and Metric Thread

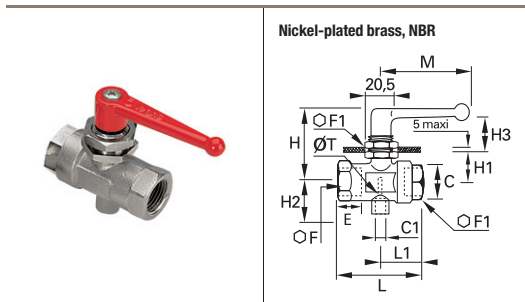


| C | C1 | DN | | E | F | F1 | H | H1 | H2 | L | L1 | M | ØT | kg |
|------|--------|----|----------------------------|------|----|----|----|----|----|----|----|-----|-----|-------|
| G1/4 | M5x0.8 | 7 | 0489 07 13 | 12 | 24 | 24 | 46 | 43 | 17 | 59 | 31 | 69 | 2 | 0.270 |
| G3/8 | M5x0.8 | 10 | 0489 10 17 | 12 | 24 | 24 | 46 | 43 | 17 | 59 | 31 | 69 | 2 | 0.243 |
| G1/2 | G1/8 | 13 | 0489 13 21 | 15 | 27 | 27 | 47 | 44 | 24 | 67 | 34 | 69 | 2 | 0.310 |
| G3/4 | G1/4 | 18 | 0489 18 27 | 16.5 | 32 | 38 | 63 | 54 | 33 | 80 | 39 | 108 | 2.5 | 0.670 |
| G1 | G1/4 | 23 | 0489 23 34 | 19 | 41 | 46 | 67 | 57 | 37 | 94 | 47 | 108 | 3 | 1.050 |

Maximum working pressure: 40 bar

0449

3/2 Panel-Mountable In-Line Ball Valve, Female BSPP and Metric Thread

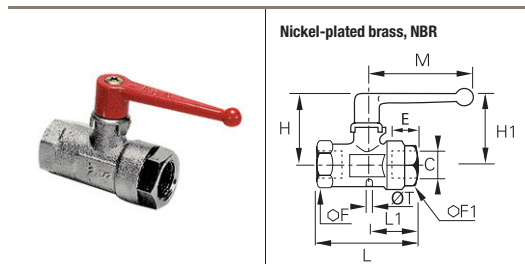
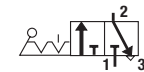


| C | C1 | DN | | E | F | F1 | H | H1 | H2 | H3 | L | L1 | M | ØT | kg |
|------|--------|----|----------------------------|----|----|----|----|----|----|----|----|----|----|-----|-------|
| G1/4 | M5x0.8 | 7 | 0449 07 13 | 12 | 24 | 27 | 50 | 20 | 17 | 21 | 59 | 31 | 69 | 2.5 | 0.313 |
| G3/8 | M5x0.8 | 10 | 0449 10 17 | 12 | 24 | 27 | 50 | 20 | 17 | 21 | 59 | 31 | 69 | 2.5 | 0.291 |
| G1/2 | G1/8 | 13 | 0449 13 21 | 15 | 27 | 27 | 52 | 23 | 24 | 21 | 67 | 34 | 69 | 4 | 0.352 |

Maximum working pressure: 20 bar

0469

3/2 In-Line Vented Ball Valve, Female BSPP Thread



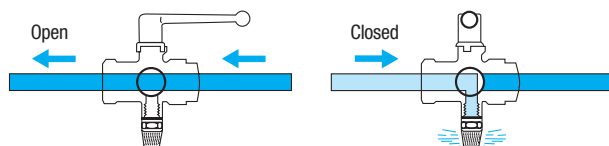
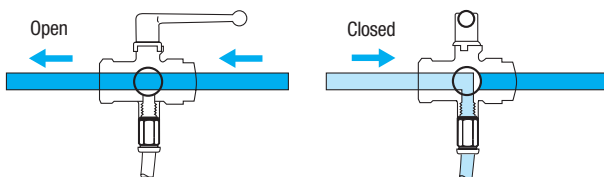
| C | DN | | E | F | F1 | H | H1 | L | L1 | M | ØT | kg |
|------|----|----------------------------|------|----|----|----|----|----|----|-----|-----|-------|
| G1/8 | 4 | 0469 04 10 | 8 | 14 | 14 | 35 | 29 | 44 | 25 | 48 | 1.5 | 0.092 |
| G1/4 | 7 | 0469 07 13 | 12 | 24 | 24 | 46 | 43 | 59 | 31 | 70 | 2 | 0.268 |
| G3/8 | 10 | 0469 10 17 | 12 | 24 | 24 | 46 | 43 | 59 | 31 | 70 | 2 | 0.246 |
| G1/2 | 13 | 0469 13 21 | 15 | 27 | 27 | 47 | 44 | 67 | 34 | 70 | 2 | 0.294 |
| G3/4 | 18 | 0469 18 27 | 16.5 | 32 | 38 | 63 | 54 | 80 | 39 | 108 | 2.5 | 0.668 |
| G1 | 23 | 0469 23 34 | 19 | 41 | 46 | 67 | 57 | 94 | 47 | 108 | 3 | 1.026 |

Maximum working pressure: 40 bar

Operation of Vented Ball Valves

With vent connected to a tube = collection of purged media

With vent connected to a silencer = noiseless discharge to atmosphere



You will find our ranges of fittings, tubing and silencers in Chapters 1, 3 and 9.