
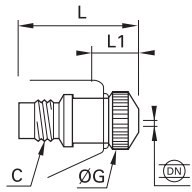


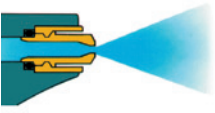




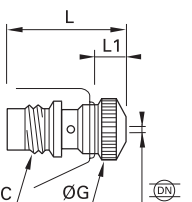








Nozzles for Polymer Blowguns


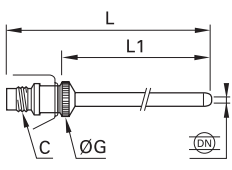






0690 01 Standard Nozzle

| | | | | | | |
|-----------------------------------------------------------------------------------|--------------------------------------------------------------------------------------------------------------|-----------------------------------------------------------------------------------------------------------------------------------------------------------------------------------------------------------------------------------------------------------------------------------------------------------------------------------------------------------------------------------------------------------------------------------------------------------------------------------------------------------------------------------------------------------------------------------------------------------------------------------|----------|----------|-----------|-----------|
|  | <p>Nickel-plated brass</p>  | <p>C  </p> | G | L | L1 | kg |
| | | <p>M12x1.25 2.5 0690 01 00</p>  <p>327 NI/min  86 dBA  23°</p> <ul style="list-style-type: none"> Versatile use Progressive and powerful air jet <p> OSHA 1910.95 (b) 2003/10/EC directive: Requirement to use ear protection if exposure > 8 hours</p> | 15 | 31 | 9 | 0.024 |


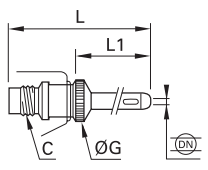


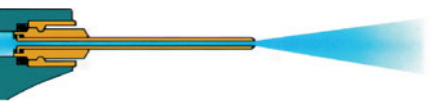



0690 02 Safety Nozzle

| | | | | | | |
|-----------------------------------------------------------------------------------|--------------------------------------------------------------------------------------------------------------|----------------------------------------------------------------------------------------------------------------------------------------------------------------------------------------------------------------------------------------------------------------------------------------------------------------------------------------------------------------------------------------------------------------------------------------------------------------------------------------------------------------------------------------------------------------------------------------------------------------------------------------------------------------------------------------------------|----------|----------|-----------|-----------|
|  | <p>Nickel-plated brass</p>  | <p>C  </p> | G | L | L1 | kg |
| | | <p>M12x1.25 2.5 0690 02 00</p>  <p>315 NI/min  83 dBA  26°</p> <ul style="list-style-type: none"> Fluidised Powders Air screen effect Safety: avoids the nozzle becoming completely blocked <p> OSHA 1910.95 (b)/1910.242 (b) 2003/10/EC directive: Requirement to use ear protection if exposure > 8 hours</p> | 15 | 31 | 9 | 0.024 |


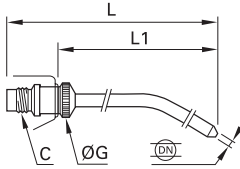






0690 03 Straight Nozzle (Long)

| | | | | | | |
|-------------------------------------------------------------------------------------|----------------------------------------------------------------------------------------------------------------|------------------------------------------------------------------------------------------------------------------------------------------------------------------------------------------------------------------------------------------------------------------------------------------------------------------------------------------------------------------------------------------------------------------------------------------------------------------------------------------------------------------------------------------------------------------------------------------------------------------------------------------------|----------|----------|-----------|-----------|
|  | <p>Nickel-plated brass</p>  | <p>C  </p> | G | L | L1 | kg |
| | | <p>M12x1.25 2.5 0690 03 00</p>  <p>386 NI/min  82 dBA  21°</p> <ul style="list-style-type: none"> Restricted Access Progressive and powerful air jet <p> OSHA 1910.95 (b) 2003/10/EC directive: Requirement to use ear protection if exposure > 8 hours</p> | 15 | 332 | 307 | 0.068 |

0690 04 Safety Straight Nozzle (Short)

| | | | | | | |
|-------------------------------------------------------------------------------------|----------------------------------------------------------------------------------------------------------------|---------------------------------------------------------------------------------------------------------------------------------------------------------------------------------------------------------------------------------------------------------------------------------------------------------------------------------------------------------------------------------------------------------------------------------------------------------------------------------------------------------------------------------------------------------------------------------------------------------------------------------------------------------------------------------------------------------------------------------------|----------|----------|-----------|-----------|
|  | <p>Nickel-plated brass</p>  | <p>C  </p> | G | L | L1 | kg |
| | | <p>M12x1.25 2.5 0690 04 00</p>  <p>410 NI/min  82 dBA  21°</p> <ul style="list-style-type: none"> Restricted Access Air screen effect and directional jet Safety: avoids the nozzle becoming completely blocked <p> OSHA 1910.242 (b)/ OSHA 1910.95 (b) 2003/10/EC directive: Requirement to use ear protection if exposure > 8 hours</p> | 15 | 102 | 77 | 0.033 |

0690 05 Angled Nozzle (Long)

| | | | | | | |
|-------------------------------------------------------------------------------------|----------------------------------------------------------------------------------------------------------------|----------------------------------------------------------------------------------------------------------------------------------------------------------------------------------------------------------------------------------------------------------------------------------------------------------------------------------------------------------------------------------------------------------------------------------------------------------------------------------------------------------------------------------------------------------------------------------------------------------------------------------------------------------------------------------|----------|----------|-----------|-----------|
|  | <p>Nickel-plated brass</p>  | <p>C  </p> | G | L | L1 | kg |
| | | <p>M12x1.25 2.5 0690 05 00</p>  <p>354 NI/min  82 dBA  21°</p> <ul style="list-style-type: none"> Restricted or distant access Progressive and powerful air jet 360° rotation <p> OSHA 1910.95 (b) 2003/10/EC directive: Requirement to use ear protection if exposure > 8 hours</p> | 15 | 316 | 292 | 0.065 |