

ABL Series

Reservoir Equipment

Typical Applications



The Parker Filtration ABL-1 and ABL-2 Series Air Filters.

- Saw mills
- Agricultural machines
- Articulated dump trucks
- Forestry equipment
- Wheeled loaders
- Lubricating systems
- Excavators
- Industrial power units
- Mobile cranes

Technical Data

Assembly:

Tank top mounted.

Connections:

Threads G1¹/₄ (ISO 228), 1¹/₂" (UN-16-2B).

Seal material:

Seals integrated in *LEIF*[®] element.

Operating temperature range:

-20° to +80°C.

Filtration media:

3 micron abs (Beta value= $\beta_{75} \geq 3$ in air).

Flow fatigue characteristics:

Filter media is supported so that the optimal fatigue life is achieved.

Vacuum indicator:

ABL-1 on request only, ABL-2 0.04 bar. Visual with latch out memory.

Breather housing:

High impact strength composite.

Filter element:

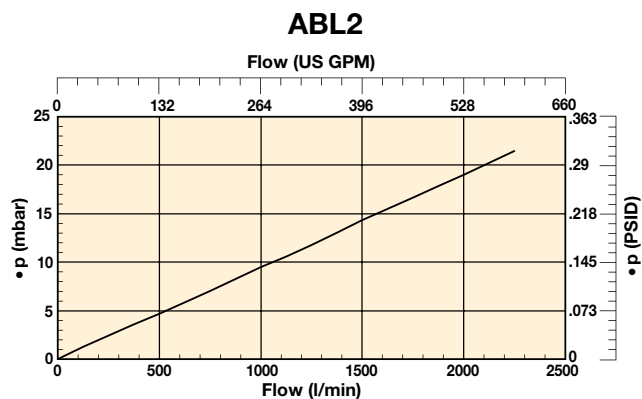
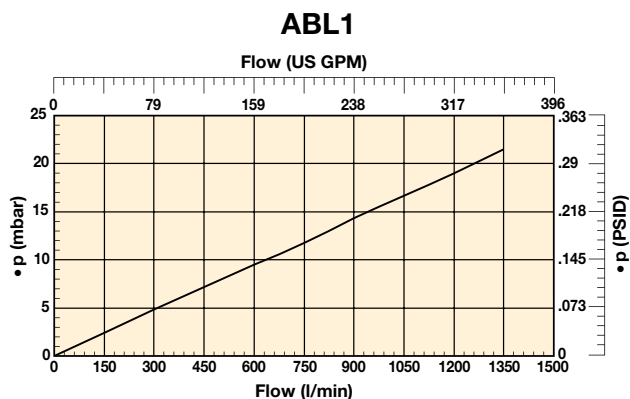
LEIF[®] element.

Options:

- Adaptor with filter connection.
- Single adaptor.
- Breather with integrated pressure relieve valve for pressurised tank on request only.

LEIF[®] elements can be used for hydraulic fluids and HEES type fluids only. For other fluids contact Parker Filtration.

Pressure Drop Curves

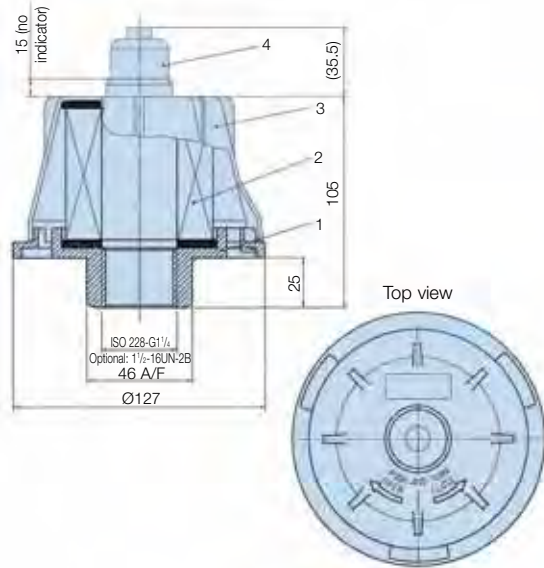


ABL Series

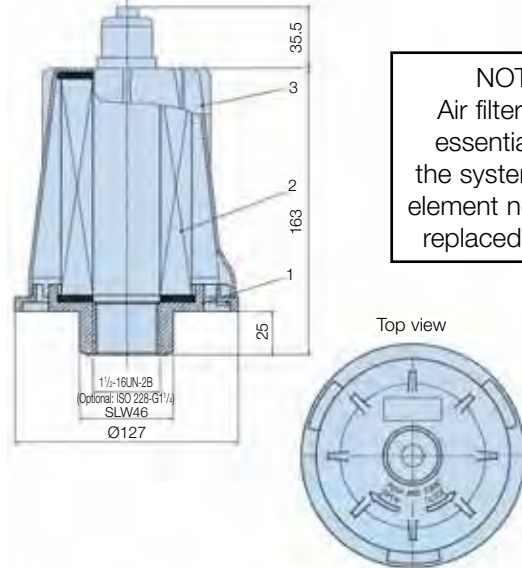
Reservoir Equipment

Specification

ABL-1



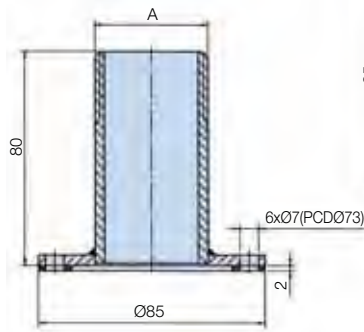
ABL-2



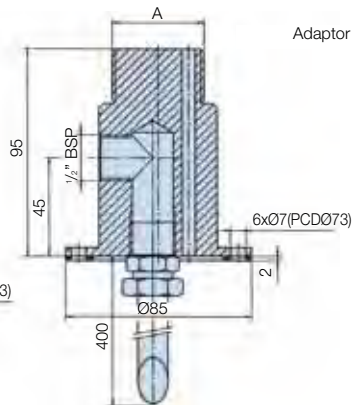
NOTICE!
Air filters are an essential part of the system and the element needs to be replaced regularly.

Extensions and filling mounting adaptors

Adaptor single



Adaptor with filler connection



Ordering Information

Standard products table

Part number	Supersedes	Replacement elements
ABL1G114QXWL3	ABL1-G1 ¹ / ₄ -QXWL-3	QXWL3
ABL2G114QXWL13V	ABL2-G1 ¹ / ₄ -QXWL-1-3-V	QXWL13
ABL2U112QXWL13V	ABL2-U1 ¹ / ₂ -QXWL-1-3-V	QXWL13
ADAPTORABL14FP	ADAPTOR-ABL-G1 ¹ / ₄ -FP	-

Product configurator – Air Beather

Product number		Mounting options		Filtration (3µm)		Indicators		Options	
ABL1	1000 l/min	G114	ISO 228 - G1 ¹ / ₄ (BSP)	QXWL3	ABL1 Only		None		None
ABL2	2000 l/min	U112	1 ¹ / ₂ UN-16-2B	QXWL13	ABL2 Only	V	Visual	SNG	Single adaptor
								FP	Adaptor With Filler Connection

Product configurator – Adaptor

Product number	Mounting options		Options	
Adaptor ABL	G114	ISO 228 - G1 ¹ / ₄ (BSP)	SNG	Single Adaptor
	U112	1 ¹ / ₂ UN-16-2B	FP	Adaptor With Filler Connection

Replacement elements

Part number	Supersedes	Description
QXWL3	QXWL-3	3µ
QXWL13	QXWL1-3	3µ

Note 1: Part numbers featured with bold highlighted codes will ensure a 'standard' product selection.

Note 2: Alternate displayed part number selection will require you to contact Parker Filtration for availability.