

IP65 Rated Filler Breathers

Reservoir Equipment

Specification for Single and 6 Hole Installation



Option 1

Construction:

Moulded in non-corrodible glass-filled nylon combining strength with a lightweight design.

Options:

- (1) single (63mm dia) hole Filler breather installation that eliminates drilled and tapped holes using self-locking clamps.
- (2) 6 hole Filler Breather Installation that uses 6 x No 10 thread forming screws.
- (3) 3 hole filler breather utilises 3 x zinc and clear chromate plated steel screws.

Strainers:

Unique design diffuses oil flow into the reservoir.
 (1) Single length in polypropylene (95mm length)
 (2) 2-piece telescopic in polypropylene (195mm length max.)

Filtration element:

Expanded polyurethane foam, 10 micron Absolute.

Seals:

Nitrile.

Working temperature:

-30°C to +90°C.

Pressurised filler breathers:

Available in 3 pressure options to maintain a positive pressure in a reservoir.

Pressurisation options:

0.2, 0.35 and 0.7 bar crack pressure.

Pressurisation valve:

Nylon/Nitrile.

Dipstick:

Available for use with options 1 and 2. Dipsticks are available in 2 lengths and in packs of 10.

Dipstick material:

ABS.

Hi/Lo indicators:

Acetal. Adjustable Red/Green level indicators.

Dipstick lengths:

200mm and 400mm.

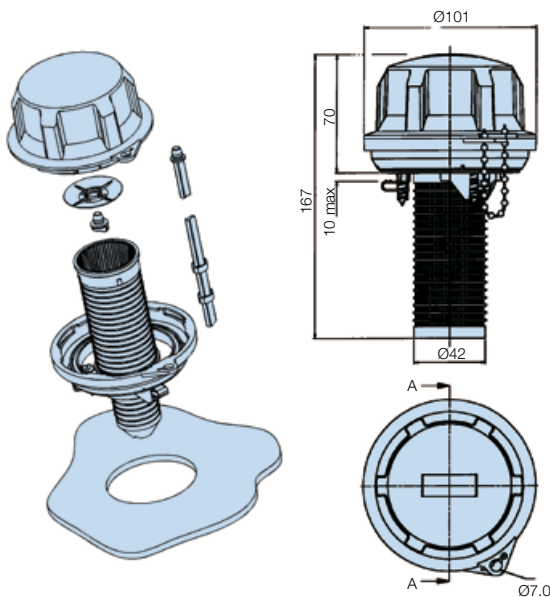
Breather weight:

0.2Kg.

Anti-splash feature:

The unique design anti-splash feature is standard on all options 1 and 2 and allows for a dipstick to be fitted if required.

Option 1 Filler Breathers (Single Hole Installation)



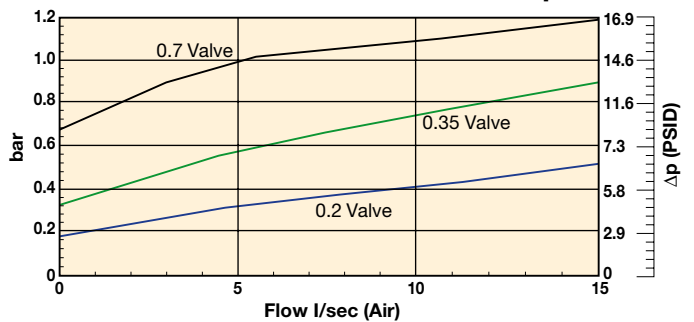
Option 1. Single Hole Filler Breathers – Pressurised

Part number	Supersedes	Description 10µ abs.
AB98212011	AB.98212011.UC	Pressurised 0.2bar with 95mm strainer
AB98213011	AB.98213011.UC	Pressurised 0.35bar with 95mm strainer
AB98212001	AB.98212001.UC	Pressurised 0.2bar without strainer
AB98212021	AB.98212021.UC	Pressurised 0.2bar with telescopic strainer
AB98213001	AB.98213001.UC	Pressurised 0.35bar without strainer
AB98213021	AB.98213021.UC	Pressurised 0.35bar with telescopic strainer
AB98217001	AB.98217001.UC	Pressurised 0.7bar without strainer
AB98217011	AB.98217011.UC	Pressurised 0.7bar with 95mm strainer
AB98217021	AB.98217021.UC	Pressurised 0.7bar with telescopic strainer

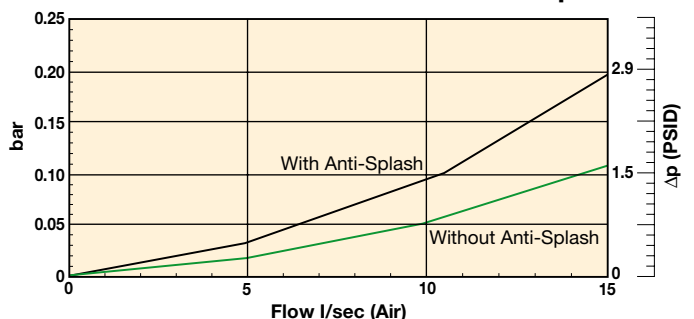
Note 1: Part numbers featured with bold highlighted codes will ensure a 'standard' product selection.

Note 2: Alternate displayed part number selection will require you to contact Parker Filtration for availability.

AB98XXX Pressurised Pressure Drop Curves



AB98XXX Non-Pressurised Pressure Drop Curves



Option 1. Single Hole Filler Breathers – Non-Pressurised

Part number	Supersedes	Description 10µ abs.
AB98210011	AB.98210011.UC	Filler breather with 95mm strainer
AB98210021	AB.98210021.UC	Filler breather with telescopic strainer
AB98210001	AB.98210001.UC	Filler breather without strainer

Note 1: Part numbers featured with bold highlighted codes will ensure a 'standard' product selection.

Note 2: Alternate displayed part number selection will require you to contact Parker Filtration for availability.



Filler Breathers (6 Hole Installation)

Option 2

Note 1. Un-pressurised 6 hole fixing:

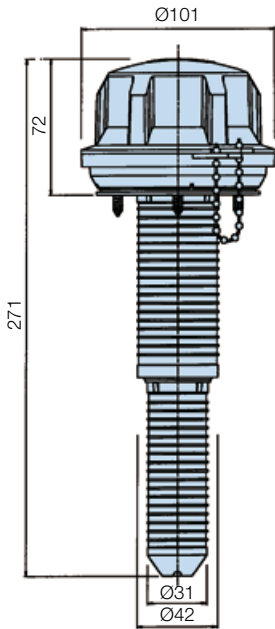
Form 6 off tank mounting holes between $\text{Ø}4.0$ and 4.4mm (dependent on the material and thickness – see guide below) equispaced on $70\text{-}73\text{mm}$ P.C.D. to suit supplied No.10 thread forming screws.

Note 2. Pressurised 6-hole fixing:

Form 6 off tank mounting holes between $\text{Ø}4.0$ and $\text{Ø}4.4\text{mm}$ (dependent on the material and thickness – see guide below) equispaced on 73mm P.C.D. to suit supplied No.10 thread forming screws.

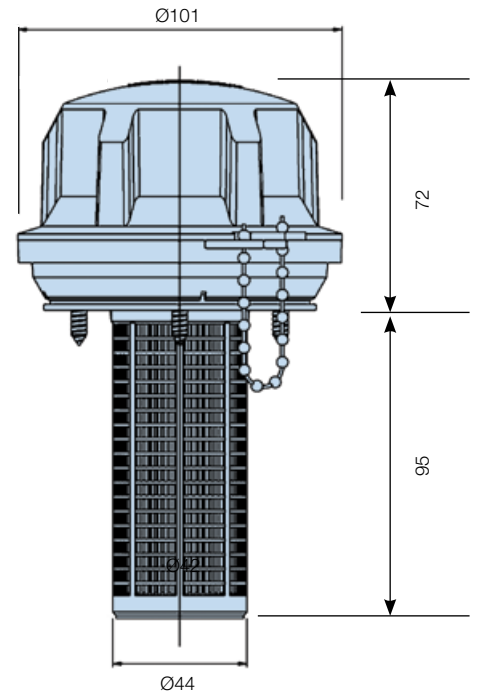
Note 3. Reservoir mounting guide

Sheet thickness mm	Hole size mm
1.2	4.0
2.0	4.10
3.15	4.30
4.0	4.30
5.0	4.40



Telescopic Strainer

The telescopic strainer design is ideal, where reservoir depth allows, to increase the surface area of the strainer, improving still further its straining ability, oil flow-through and allowing for longer dipstick lengths.



Option 2. 6 Hole Filler Breathers – Pressurised

Part number	Supersedes	Description 10 μ abs
AB98817011	AB.98817011.UC	Pressurised 0.7bar with 95mm strainer
AB98812001	AB.98812001.UC	Pressurised 0.2bar without strainer
AB98812011	AB.98812011.UC	Pressurised 0.2bar with 95mm strainer
AB98812021	AB.98812021.UC	Pressurised 0.2bar with telescopic strainer
AB98813001	AB.98813001.UC	Pressurised 0.35bar without strainer
AB98813011	AB.98813011.UC	Pressurised 0.35bar with 95mm strainer
AB98813021	AB.98813021.UC	Pressurised 0.35bar with telescopic strainer
AB98817001	AB.98817001.UC	Pressurised 0.7bar without strainer
AB98817021	AB.98817021.UC	Pressurised 0.7bar with telescopic strainer

Note 1: Part numbers featured with bold highlighted codes will ensure a 'standard' product selection.

Note 2: Alternate displayed part number selection will require you to contact Parker Filtration for availability.

Option 2. 6 Hole Filler Breathers – Non-Pressurised

Part number	Supersedes	Description 10 μ abs
AB98810001	AB.98810001.UC	Filler breather without strainer
AB98810011	AB.98810011.UC	Filler breather with 95mm strainer
AB98810021	AB.98810021.UC	Filler breather with telescopic strainer

Note 1: Part numbers featured with bold highlighted codes will ensure a 'standard' product selection.

Note 2: Alternate displayed part number selection will require you to contact Parker Filtration for availability.

