

Diffusers

Reservoir Equipment

Installation Details



Specification

Construction:

Zintec body.
30% glass-filled nylon head.
Zintec end cap.
Polyurethane adhesives.

Mounting threads:

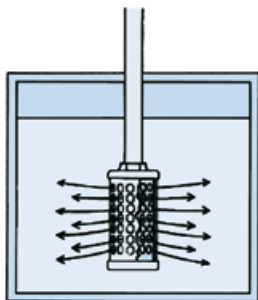
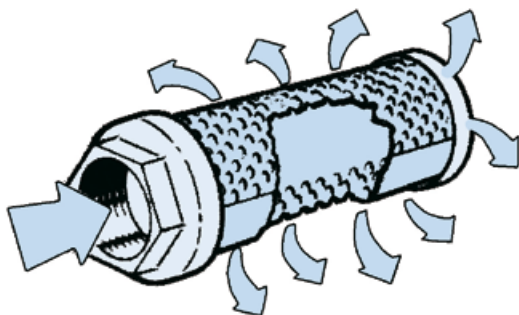
G^{3/4} up to G2.

Working Temperature:

-30°C to + 90°C

Flow range:

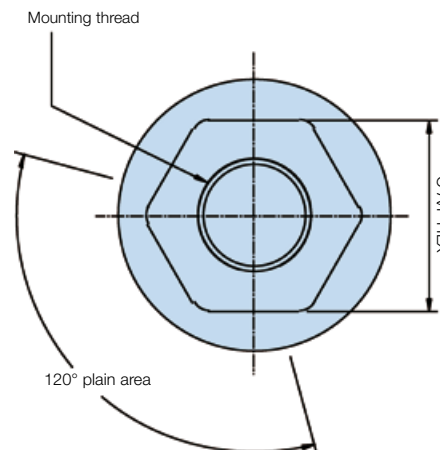
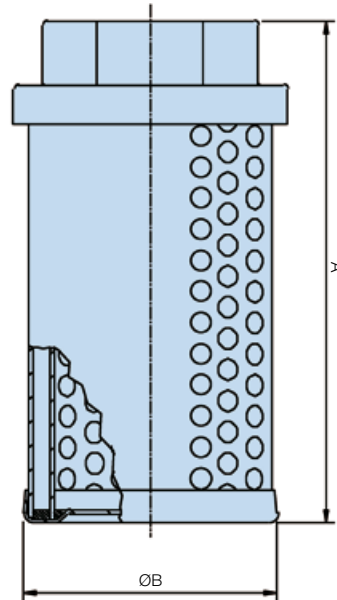
50 l/min up to 454 l/min (For 30cSt).



The effect of fitting a diffuser

Note: When installing a diffuser the plain area on the outside must be facing the pump inlet.

Note: For information relating to maximum differential pressure over the diffuser, consult Parker Filtration.



The benefits of specifying a Parker Filtration Diffuser

Installing a Parker Filtration Diffuser in a hydraulic reservoir is a simple operation that can make a big difference to system efficiency.

With its special concentric tubes designed with discharge holes 180° opposed fluid aeration, foaming and reservoir noise are reduced and pump life extended by reducing cavitation to the pump inlet.

Diffusers manufactured to customer specifications and other sizes of diffusers are available.

Ordering Information

Standard products table

Part number	Flow l/min	Ports BSP	Dimensions (mm)			Weight
			A	B	C	
2201	114	1	127	86	55	0.42
2202	227	1½	178	86	65	0.56
2210	50	¾	120	62	46	0.27
2203	454	2	242	86	75	0.69

Note 1: Part numbers featured with bold highlighted codes will ensure a 'standard' product selection.

Note 2: Alternate displayed part number selection will require you to contact Parker Filtration for availability.

