

## F1-12 ISO with BSP port treads

### Specifications

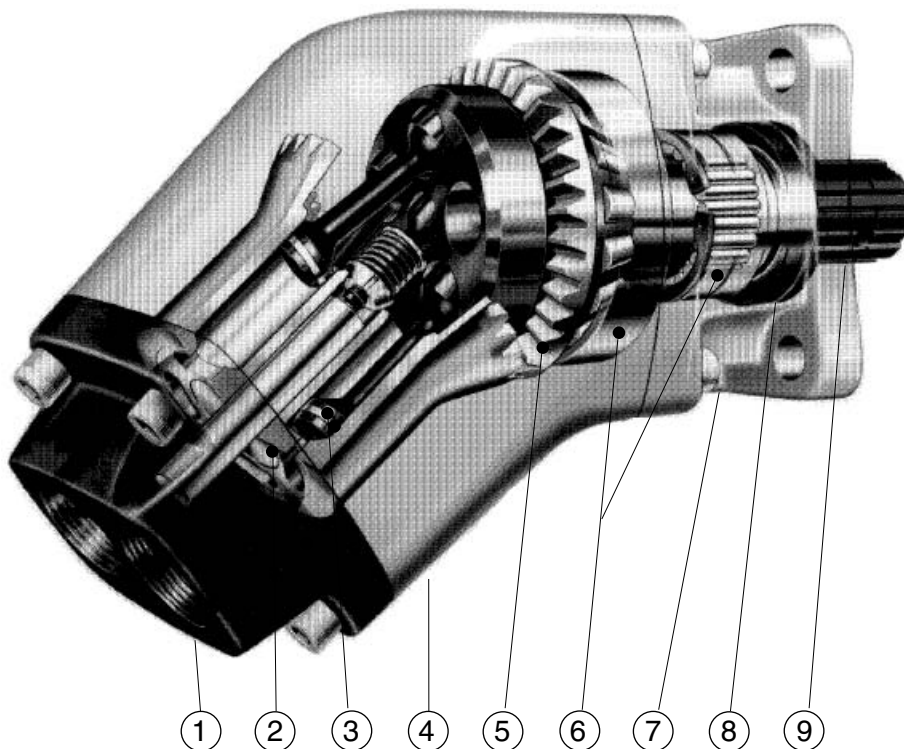
<b>Frame size F1-</b>	<b>12</b>
<b>Displacement</b> [cm <sup>3</sup> /rev]	12
<b>Max flow</b> <sup>1)</sup> [l/min]	28
<b>Max operating pressure</b> [bar]	350
<b>Shaft speed</b> [rpm]	
- short circuited pump (low press.)	3100
- max selfpriming speed	2300
<b>Torque</b> <sup>1)</sup> [Nm]	67
<b>Input power</b> [kW]	
- continuous	16.1
- intermittent <sup>2)</sup>	21.7
<b>Weight</b> [kg]	6.7

1) Theoretical values

2) Max 6 seconds in any one minute.

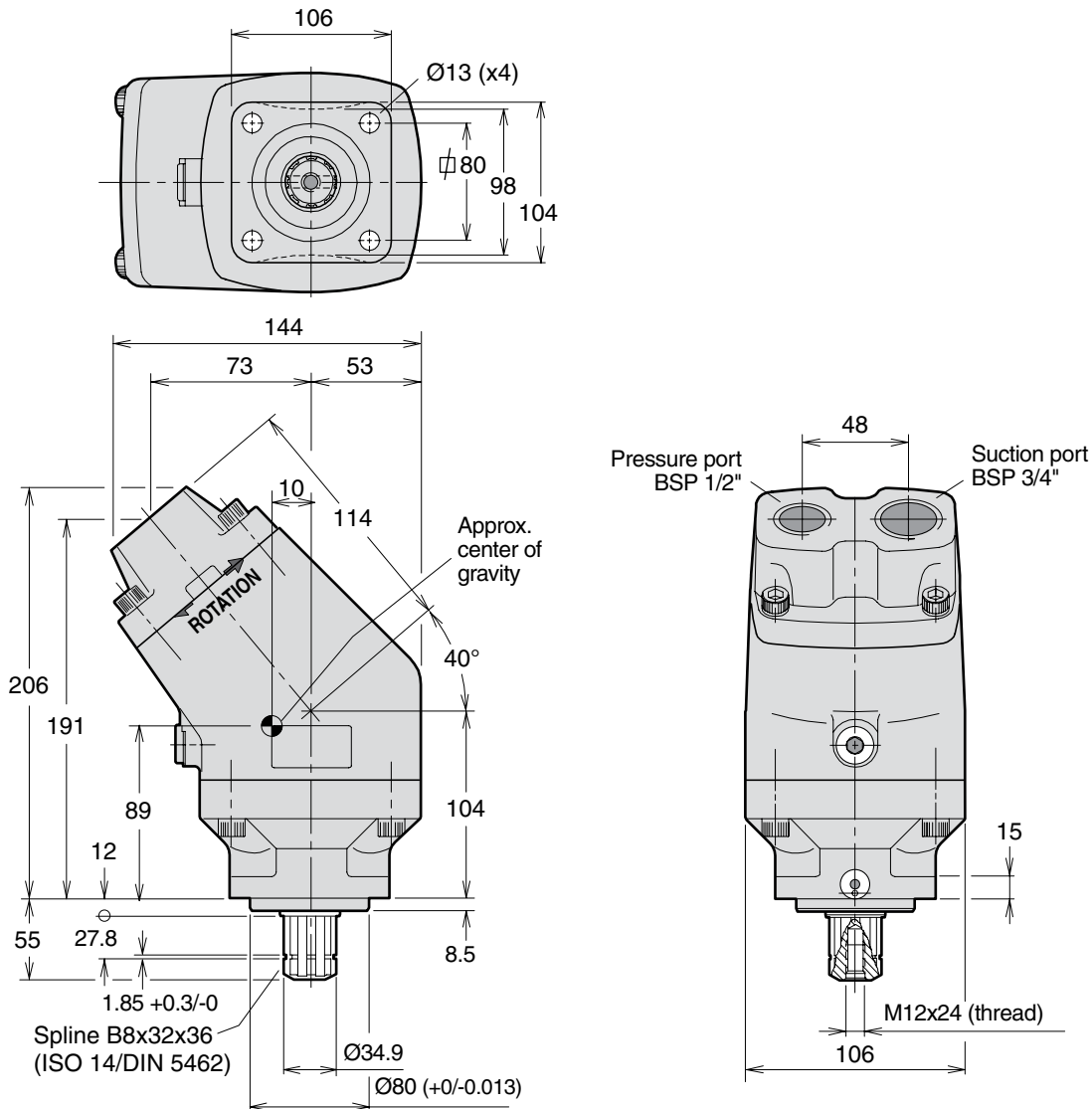
**NOTE:** For noise level information, contact Parker Hannifin

### Pump cross section



- |                           |                   |                               |
|---------------------------|-------------------|-------------------------------|
| 1 End cap                 | 4 Barrel housing  | 7 Bearing housing with flange |
| 2 Cylinder barrel         | 5 Timing gear     | 8 Shaft seals                 |
| 3 Piston with piston ring | 6 Roller bearings | 9 Input shaft                 |

**F1-12 with BSP port treads**



**Ordering code**

Example: **F1- 12 - R**

F1 frame size **12**

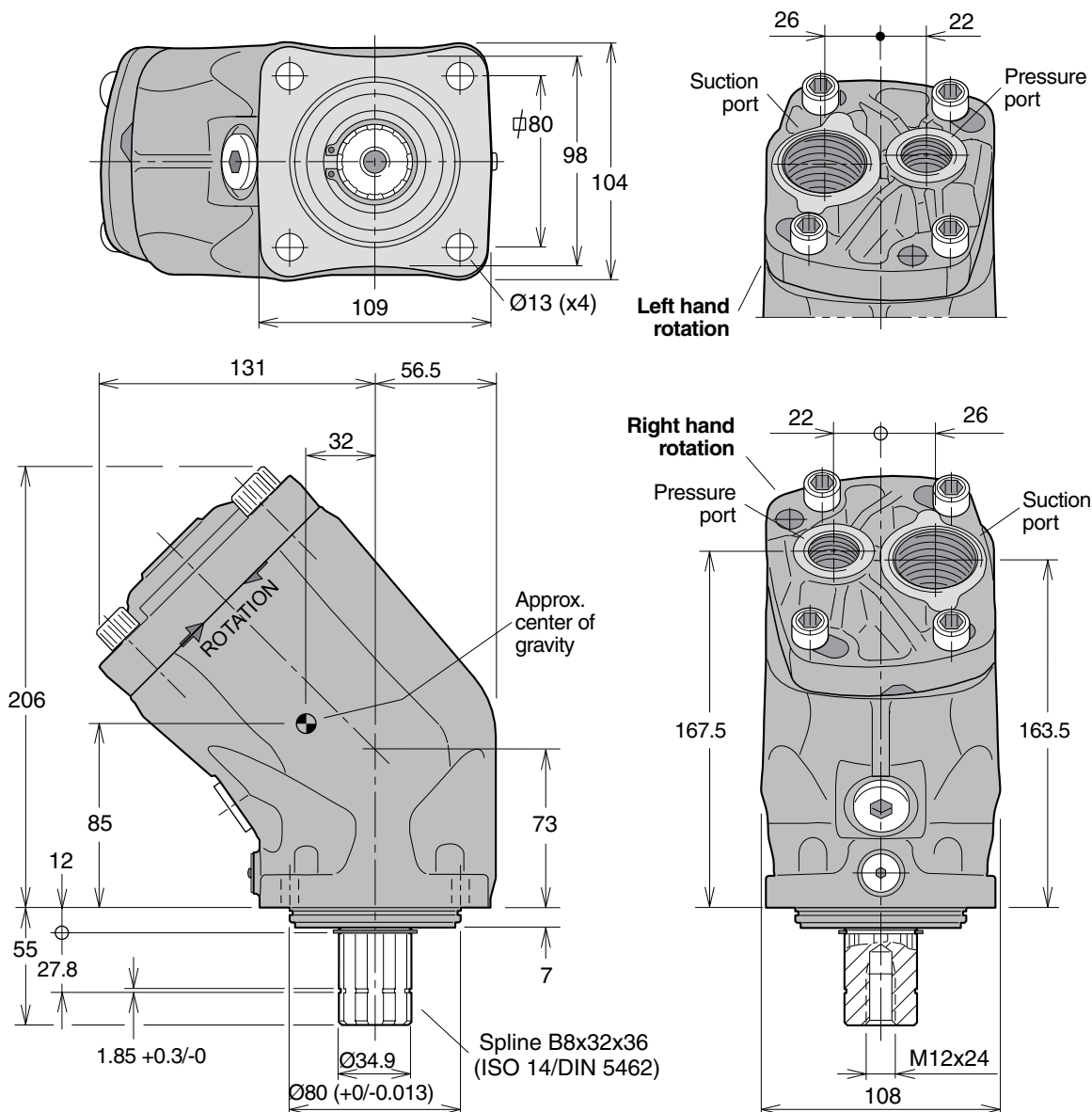
Shaft rotation **R** Right hand  
**L** Left hand

**Standard versions**

Designation	Ordering no.
F1-12-R	378 2212
F1-12-L	378 2211

**NOTE:** The pump **does not** include a suction fitting; it must be ordered separately. See chapter 10.

**F1-25, -41, -51 and -61 with BSP port threads**



**Port size** (all ports are BSP)

F1 frame size	Pressure port <sup>1)</sup>	Suction port
-25	3/4"	1"
-41	3/4"	1"
-51	3/4"	1"
-61	3/4"	1"

**Ordering code**

Example: **F1- 61 - RB**

F1 frame size ————— 25, 41, 51, 61, 81 or 101

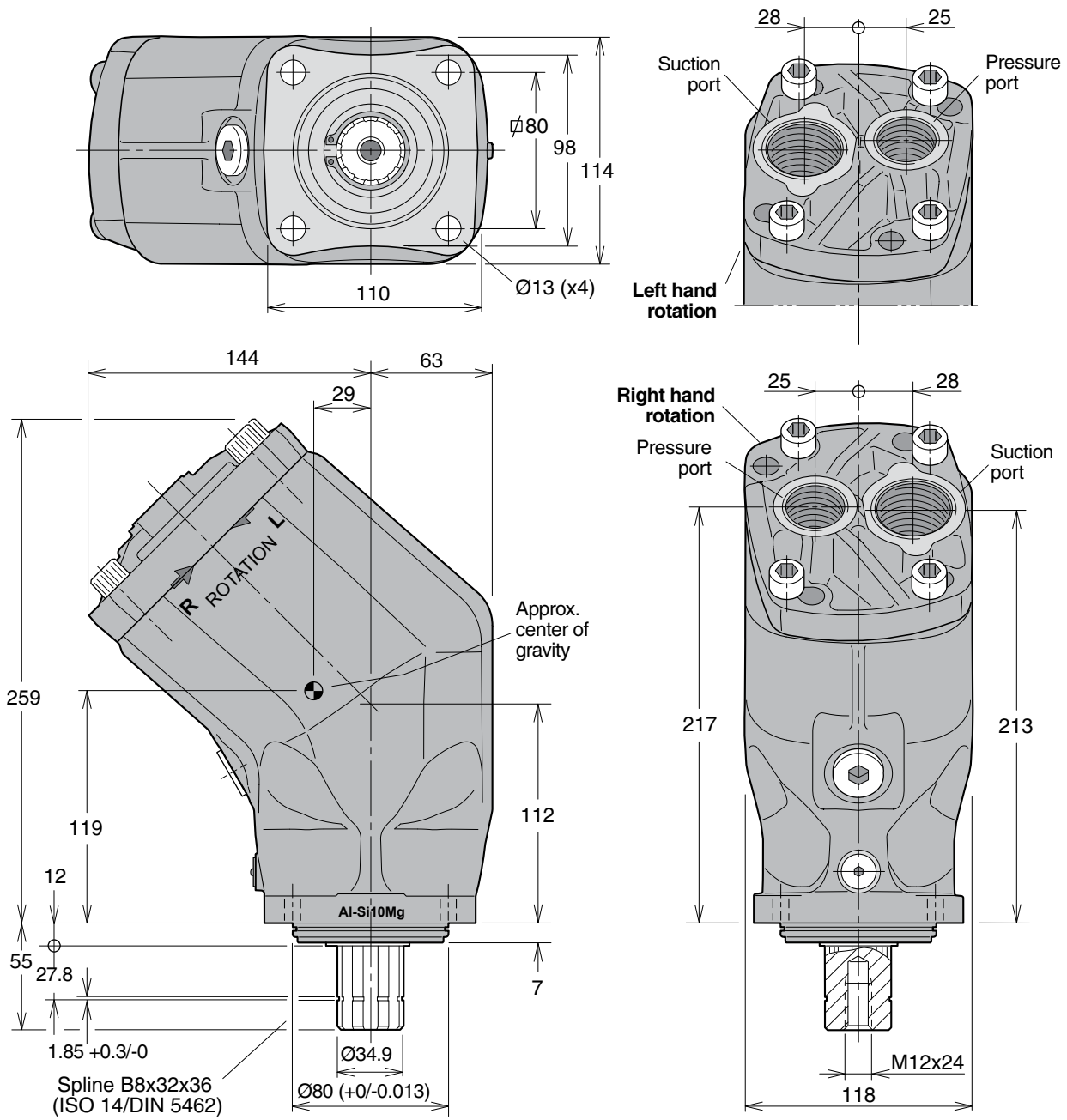
Shaft rotation/port threads ————— RB Right hand/BSP  
 LB Left hand/BSP

**Standard versions**

Designation	Ordering no.
F1-25-RB	378 4024
F1-25-LB	378 4025
F1-41-RB	378 4040
F1-41-LB	378 4041
F1-51-RB	378 4050
F1-51-LB	378 4051
F1-61-RB	378 4060
F1-61-LB	378 4061

**NOTE:** The pump **does not** include a suction fitting; it must be ordered separately. See chapter 10.

**F1-81 and -101 with BSP port treads**



**Port size** (all ports are BSP)

F1 frame size	Pressure port <sup>1)</sup>	Suction port
-81	1"	1 1/4"
-101	1"	1 1/4"

**Ordering code**

Example: **F1-81-RB**

F1 frame size: 25, 41, 51, 61, 81 or 101

Shaft rotation/port threads:  
**RB** Right hand/BSP  
**LB** Left hand/BSP

**Standard versions**

Designation	Ordering no.
F1-81-RB	378 4080
F1-81-LB	378 4081
F1-101-RB	378 4100
F1-101-LB	378 4101

**NOTE:** The pump **does not** include a suction fitting; it must be ordered separately. See chapter 10.