

Cylinder mountings

Flange MF1/MF2



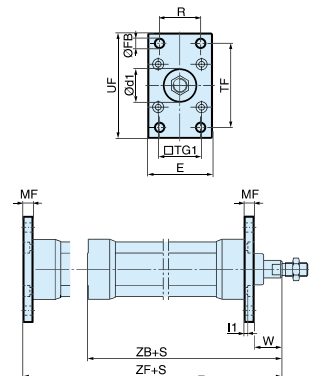
Intended for fixed mounting of cylinder. Flange can be fitted to front or rear end cover of cylinder.

Materials

Flange: Surface-treated steel

Mounting screws acc. to DIN 6912: Zinc-plated steel 8.8

Supplied complete with mounting screws for attachment to cylinder.



According to ISO MF1/MF2, VDMA 24 562, AFNOR

Cyl. bore mm	d1 mm	FB mm	TG1 mm	E mm	R mm	MF mm	TF mm	UF mm	l1 mm	W* mm	ZF* mm	ZB* mm	Weight Kg	Order code
32	30	7	32,5	45	32	10	64	80	5,0	16	130	123,5	0,23	P1C-4KMB
40	35	9	38,0	52	36	10	72	90	5,0	20	145	138,5	0,28	P1C-4LMB
50	40	9	46,5	65	45	12	90	110	6,5	25	155	146,5	0,53	P1C-4MMB
63	45	9	56,5	75	50	12	100	120	6,5	25	170	161,5	0,71	P1C-4NMB
80	45	12	72,0	95	63	16	126	150	8,0	30	190	177,5	1,59	P1C-4PMB
100	55	14	89,0	115	75	16	150	170	8,0	35	205	192,5	2,19	P1C-4QMB
125	60	16	110,0	140	90	20	180	205	10,5	45	245	230,5	3,78	P1C-4RMB

S = Stroke length

Foot brackets MS1



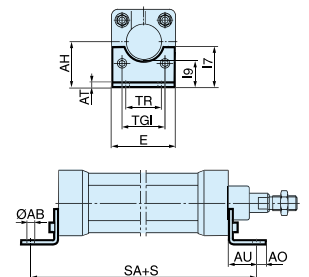
Intended for fixed mounting of cylinder. Foot bracket can be fitted to front and rear end covers of cylinder.

Material:

Foot bracket: Surface treated steel

Mounting screws acc. to DIN 912: Zinc-plated steel 8.8

Supplied in pairs with mounting screws for attachment to cylinder.



According to ISO MS1, VDMA 24 562, AFNOR

Cyl. bore mm	AB mm	TG1 mm	E mm	TR mm	AO mm	AU mm	AH mm	I7 mm	AT mm	I9 mm	SA* mm	Weight Kg	Order code
32	7	32,5	45	32	10	24	32	30	4,5	17,0	142	0,06	P1C-4KMF
40	9	38,0	52	36	8	28	36	30	4,5	18,5	161	0,08	P1C-4LMF
50	9	46,5	65	45	13	32	45	36	5,5	25,0	170	0,16	P1C-4MMF
63	9	56,5	75	50	13	32	50	35	5,5	27,5	185	0,25	P1C-4NMF
80	12	72,0	95	63	14	41	63	49	6,5	40,5	210	0,50	P1C-4PMF
100	14	89,0	115	75	15	41	71	54	6,5	43,5	220	0,85	P1C-4QMF
125	16	110,0	140	90	22	45	90	71	8,0	60,0	250	1,48	P1C-4RMF

S = Stroke length

Pivot bracket with rigid bearing AB7

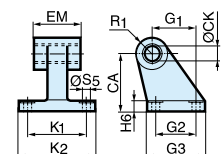


Intended for flexible mounting of cylinder. The pivot bracket can be combined with clevis bracket MP2.

Materials

Pivot bracket: Surface-treated aluminium, black

Bearing: Sintered oil-bronze bushing



According to CETOP RP 107 P, VDMA 24 562, AFNOR

Cyl. bore mm	CK mm	S5 mm	K1 mm	K2 mm	G1 mm	G2 mm	EM mm	G3 mm	CA mm	H6 mm	R1 mm	Weight Kg	Order code
32	10	6,6	38	51	21	18	25,5	31	32	8	10,0	0,06	P1C-4KMD
40	12	6,6	41	54	24	22	27,0	35	36	10	11,0	0,08	P1C-4LMD
50	12	9,0	50	65	33	30	31,0	45	45	12	13,0	0,15	P1C-4MMD
63	16	9,0	52	67	37	35	39,0	50	50	12	15,0	0,20	P1C-4NMD
80	16	11,0	66	86	47	40	49,0	60	63	14	15,0	0,33	P1C-4PMD
100	20	11,0	76	96	55	50	59,0	70	71	15	19,0	0,49	P1C-4QMD
125	25	14,0	94	124	70	60	69,0	90	90	20	22,5	1,02	P1C-4RMD